

BEST IDEA SINCE THE PICK-UP



SLIDE-N-LOCK[®]
TIE-DOWN SYSTEM

NOW, TYING IT D

The **SLIDE-N-LOCK** allows the user to secure items best utilized. **SLIDE-N-LOCK** may be mounted on the bed of a pick-up truck, on a utility truck

SIMPLE TO INSTALL---EASY TO USE

Rails are either bolted or screwed into the desired location. Adjust the tie-down position by lifting the spring-loaded locking pin and sliding it to the desired self-locating hole. Attaching a rope or strap secures the load. Please refer to the installation instructions on this sheet.

HEAVY-DUTY CONSTRUCTION

The rugged **SLIDE-N-LOCK** rails are machined (not cast) out of solid 6061-T6 aluminum stock for maximum strength and hardness. They are then anodized for lasting protection against corrosion. **SLIDE-N-LOCK** rails are secured to your vehicle by strategically spaced 1/4" diameter bolts. This ensures that stress loads are spread over the entire rail rather than being concentrated at a single point (like in single tie-down hooks) in the vehicle's sheet metal.

VERSATILE

Unlike conventional tie-downs, **SLIDE-N-LOCK** allows the user full flexibility in securing payloads. Locking pins may be positioned every 5 inches along the rail.

ATTRACTIVE APPEARANCE

By design, **SLIDE-N-LOCK** has a sleek uncluttered look, adding beauty and value to your vehicle. Anodized finishes are available in black and silver.

DOWN IS A SNAP!

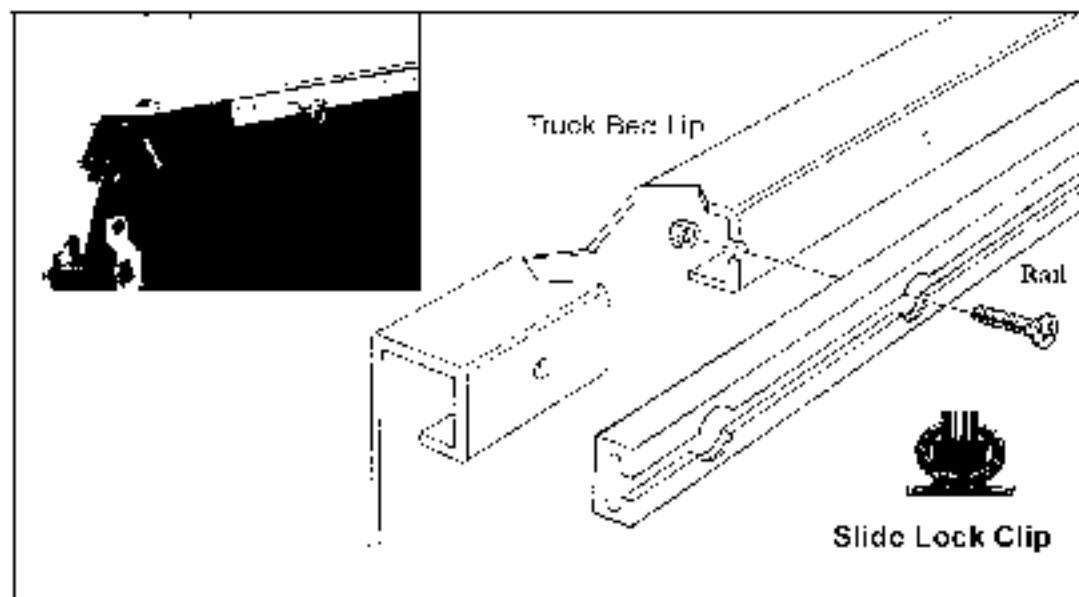
is by sliding the tie-down to where it is
anywhere a tie-down is needed. Mount it on
truck, van, trailer, or wherever needed.

SLIDE-N-LOCK
THE TIE-DOWN SYSTEM provides flexibility, strength, beauty, and
workmanship. Most other tie-downs are simply a single
location hook, requiring several hook locations to provide
a less stable hold than **SLIDE-N-LOCK**
THE TIE-DOWN SYSTEM. Frankly, no other tie-down
system even comes close to the quality and convenience of

SLIDE-N-LOCK
THE TIE-DOWN SYSTEM

MOUNTING INSTRUCTIONS

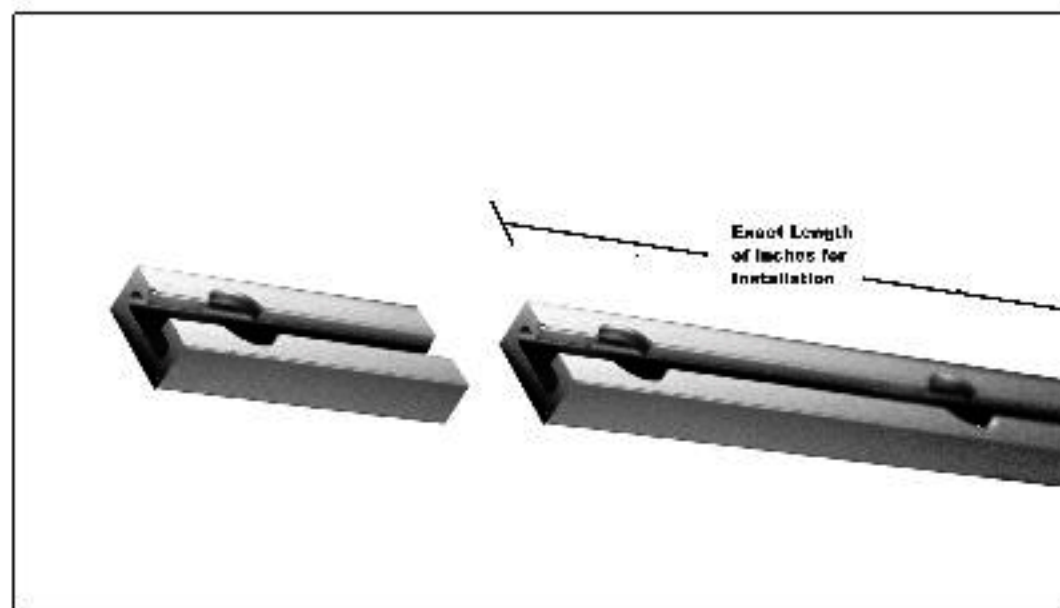
1. Place rails in desired location with label side up.
2. Mark mounting hole locations with transfer punch or use
rails as drill guide.
3. Fasten rails in place with supplied 1/4" diameter bolts.



Set includes two rails and four slides. Extra slides
can be ordered.

CUSTOM RAILS

If you desire you may cut your own standard length rails to fit custom installations, or check into **Slide-N-Lock's 7inch and 22inch systems**. Measure the exact installation length. (see illustration below), and using a hacksaw with a sharp blade cut the excess end off square. Clamping the rail in a bench vice (with padding between the jaws and rail, to prevent scarring rail surface) is the most accurate procedure to achieve a clean square cut-off. The load capacity of the standard rail will be decreased if a mounting hole is not maintained at the cut end of the rail.



SLIDE-N-LOCK[®]
TIE-DOWN SYSTEM

Manufactured & Distributed by:

Hi-Lift Jack Company
46 West Spring Street
Bloomfield, IN 47424
(800) 233-2051